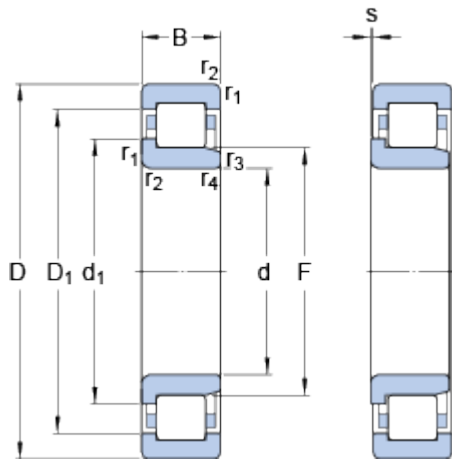


# NJ 236 ECML

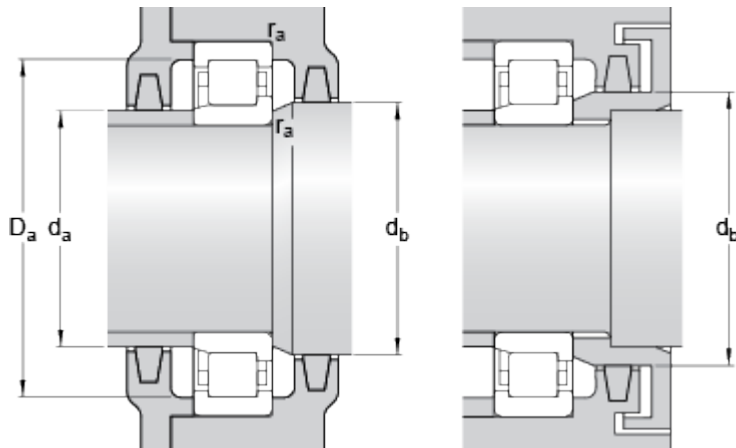
SKF Explorer

## Dimensions



d		180	mm
D		320	mm
B		52	mm
d <sub>1</sub>	≈	230	mm
D <sub>1</sub>	≈	278.6	mm
F		217	mm
r <sub>1,2</sub>	min.	4	mm
r <sub>3,4</sub>	min.	4	mm
s		2.9	mm

## Abutment dimensions



d <sub>a</sub>	min.	198	mm
d <sub>a</sub>	max.	213	mm
d <sub>b</sub>	min.	234	mm
D <sub>a</sub>	max.	302.2	mm
r <sub>a</sub>	max.	3	mm

## Calculation data

Basic dynamic load rating	C	720	kN
Basic static load rating	C <sub>0</sub>	850	kN
Fatigue load limit	P <sub>u</sub>	88	kN
Reference speed		2200	r/min
Limiting speed		3600	r/min
Calculation factor	k <sub>r</sub>	0.23	

## Mass

Mass bearing		18.47	kg
--------------	--	-------	----

## Appropriate products

Angle ring		HJ 236 EC	
------------	--	-----------	--

